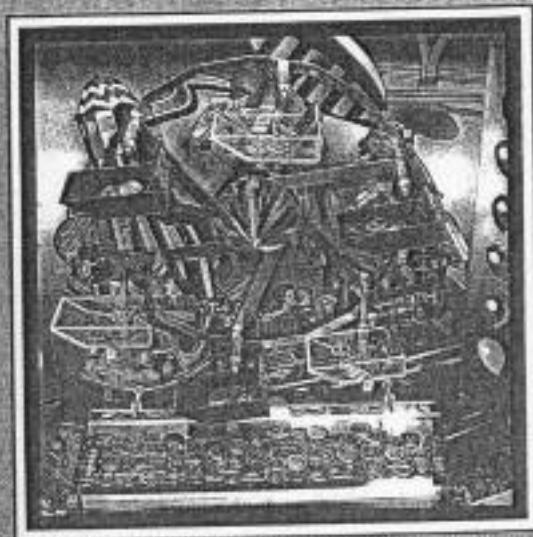
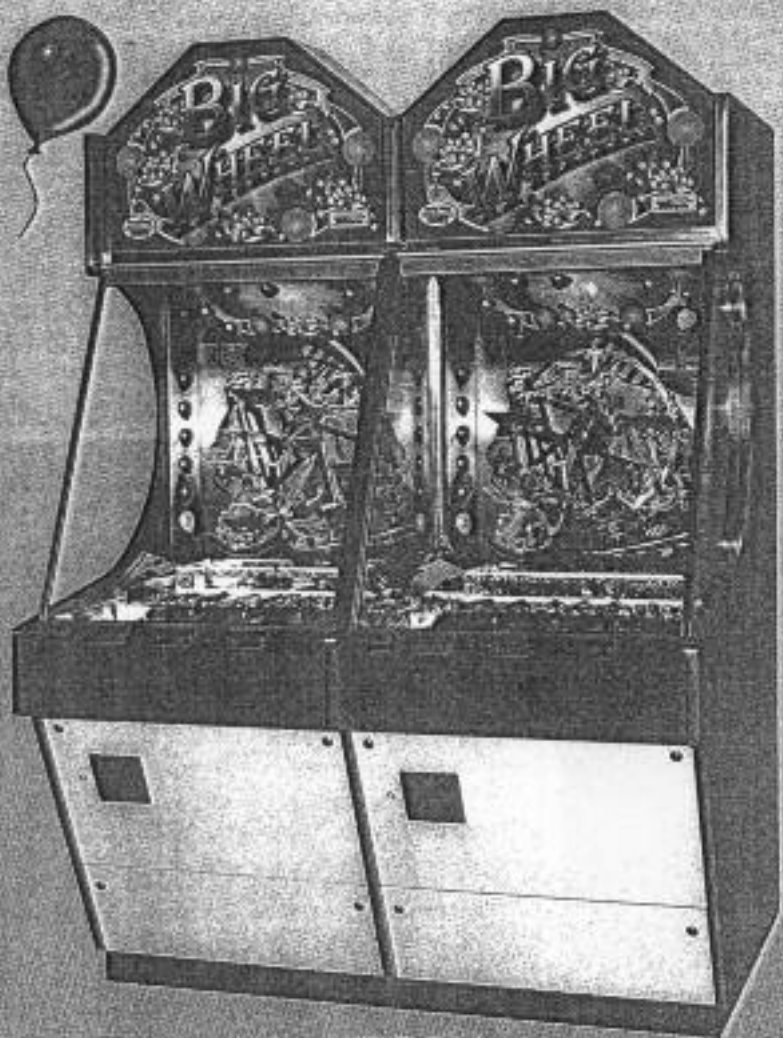
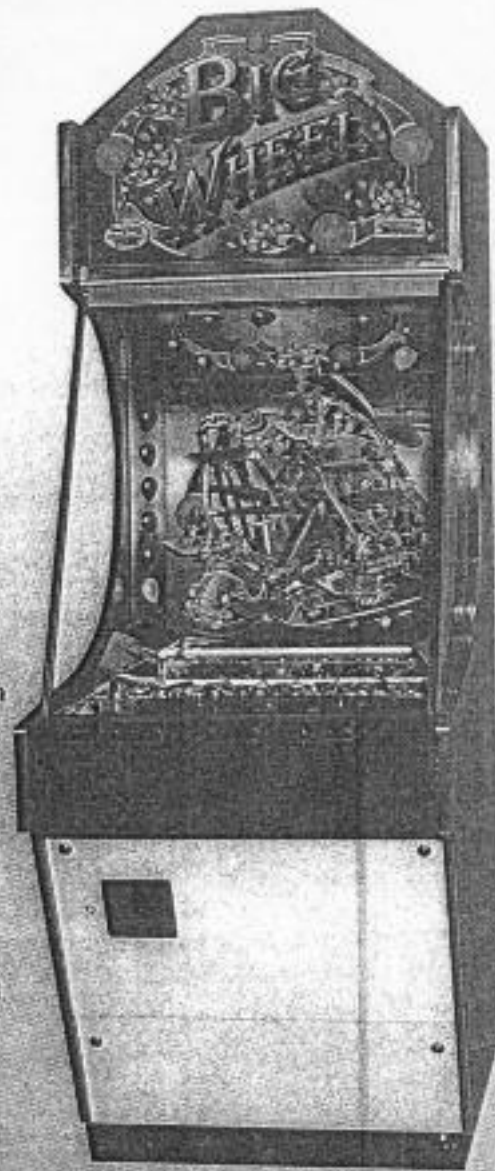


# BIG WHEEL

- \* Advanced State of the Art Electronics
- \* Ticket Dispenser
- \* Skill Stop Button
- \* Playfield Channels
- \* A Full Anti Cheat Package
- \* A Fully Metered Exciting Sound System
- \* Rotating Ferris Wheel Target
- \* 1 Player and 2 Player Available

1 Player - Ht 74" W 25 1/2"  
DP 39" Wt. 350 Lbs. •  
H 187.96 CM, W 64.77 CM  
DP 99.06 CM, Wt. 158.76 KG

2 Player - Ht 74" W 49 1/2"  
DP 39" Wt. 550 Lbs. •  
H 187.96 CM, W 125.73 CM  
DP 99.06 CM, Wt. 249.48 KG



**EXCITING PLAYFIELD!**

**COASTAL  
AMUSEMENTS INC.**

601 PROSPECT STREET  
LAKEWOOD, NJ 08701  
(908) 905-6662 • FAX: (908) 905-6815

*"...manufacturers & distributors of coin-op redemption games..."*

Issued to Production 20th August 1997

BIG WHEEL 1 or 2 player

SERVICE MANUAL

Produced by ;

Harry Levy Amusement Contractor Ltd  
Pysons Road Industrial Estate  
Broadstairs  
Kent CT10 2LF  
England

Tel \*843 866464 Fax \*843 860144

Distributed in the United States of America by ;

Coastal Amusement Distributors Inc.  
601 Prospect Street  
Lakewood N.J. 08701

Tel 908 905 6662 Fax 908 905 6815

Issued 20th August

## Section 8 - Trouble shooting

### 1. INFORMATION.

1.1 This Manual is intended as a guide to the operation, servicing, fault finding and repairs on the Big Wheel machines. It is important that the machine operates according to its design criteria.

1.2 All details and specifications shown in this manual are correct at the time of print. The right to modify equipment, change specifications and instructions at any time, without notice is reserved as part of Harry Levy Amusement Contractor Ltd policy of continuous development and improvement.

1.3 Only qualified, professional personnel should gain entry to the machine, and no liability is accepted by the author or Harry Levy Amusement Contractor Ltd. for any damage or injury arising from the use of this service manual.

### 2. GENERAL SERVICING

#### 2.1 Replacement Parts.

It is of mutual interest that equipment is kept in excellent working condition, therefore when requested please order original replacement parts from your distributor or Harry Levy Amusement Contractor Ltd.

#### 2.2 Ticket dispensers.

The ticket dispenser is a Deltronic DL 1275 unit. Please refer to the pink or yellow manual for ticket machine adjustment and electrical specification.

#### 2.3 Hopper. (USA)

This is a Coin Controls hopper(s). There are no user serviceable parts.

### 3. DESCRIPTION OF THE GAME

#### 3.1 Switch on, and Attract mode.

Switch the machine on, the fluorescent lamp will light, the pusher boxes will move backward and forward, and the wheel will start to rotate. After some time (depending on the switch settings) the attract mode sounds will operate. If the volume is not loud enough then adjust the control, which is on the sound board in the rear of the machine.

The counter will increment each time a coin is inserted. The tilt system & alarm can be tested by pushing against the machine, the alarm will sound and any award being made will stop & the remaining award will be lost. Another alarm test is to stop one of the pusher boxes as if it had jammed, the alarm will sound. To reset the jam alarm press the reset button which is located on the top of the machine just behind the top sign, on the left.

### 3.2 The game

At the selected player station insert a coin. Coins of the wrong type are rejected. The object of the game is to time the coins entry so that it is fired into a partly filled cup on the wheel, making it tip its contents onto the pusher box. This in turn creates the improved possibility of an award for the player. The cup will right itself as it reaches the bottom of its rotation, ready to be re-filled.

Coins which fall off the playfield (USA machine) are counted into the change hopper by the win hopper. Tickets are then awarded from a ticket dispenser.

## 4. SPECIFICATIONS

		1 player	2 Player
4.1	Dimensions.	Height	1870mm (73¾")
		Width	645mm (25¼")
		Depth	970mm (38¼")

4.2	Electrical ratings	1 player	2 player
-----	--------------------	----------	----------

At 115 Volts 60 Hz :-      2.5 Amps / 250 Watts      4.0 Amps / 360 Watts

### 4.3 Errors and alarm signals

If the alarm bell sounds, either a pusher box is jammed or the tilt has been activated. The tilt will automatically time-out, and reset. The pusher box jam will require an engineer to rectify the fault, then power the machine back up.

A reset switch is incorporated at the top of the machine to allow an 'accidental' jam to be reset without having to switch the machine off.

If tickets (USA machine) run out, then an indicator L.E.D will light on the lower front entry door.

## 5. ACCESS

### 5.1 General.

With the exception of re-loading tickets for the ticket machine, always disconnect the machine from the mains supply by removing it's plug from the supply socket.

### 5.2 Playfield.

Release the lock at the top of the glass door and lift it up and out, put the glass in a safe place.

### 5.3 Coin entry.

Coins (or tokens) are guided past an opto sensor and on to the ejector unit. The coin is automatically ejected onto the playfield area. The ejector is factory set and should need no adjustment.

### 5.4 Lower Cabinet.

Each player section has an access door below the playfield which can be fully removed by releasing the lock at the top of door. A single back door is fitted which can be fully removed by releasing the two locks at the top of the door. This gives access to the power supply and the lighting choke board.

### 5.5 Cash box compartments.

Each player section has an access door below the pay-cup which can be fully removed by releasing the lock at the top of the door. The cash box may be fitted with its own lock, for extra security.

### 5.6 Top sign.

To replace lamps in the topsign, the topsign metalwork must be unscrewed at the rear and lifted up, taking care to keep the artwork in place. The artwork is carefully removed from the metalwork, and defective lamps can be replaced. When replacing the topsign care should be taken to ensure that the artwork locates in its groove in the wood. Replace all screws in the topsign housing.

### 5.7 Hoppers.

To access the winnings and change hoppers first remove the front lower door.

The winnings hopper is below the win chute, the change hopper on the left. The change hopper pulls forward, the winnings hopper pulls out to the right when the ticket bin is pulled forward. Hoppers are best returned to your distributor as they are not intended to be user serviceable.

## 6. ELECTRICAL SYSTEMS

### 6.1 General.

In general disconnect the machine from the mains supply then check the physical condition and operation of the suspect device or unit (remove from the machine if necessary) and bench test if possible.

In general PCB's are not user serviceable. Should a problem develop indicating a board fault it is recommended that the board is returned for repair or replacement by your distributor, however, fault diagnosis and repair may be performed by skilled service personnel but this may invalidate the warranty. Many of the IC's are common components and are available from electronic component suppliers, or from Harry Levy Amusement Contractor Ltd.

### 6.2 Wiring check.

If faults occur with any electrical system: - SWITCH THE MACHINE OFF, then check that:-

- a) All fuses are intact
- b) All wires are properly secured to their connector terminals and pins.
- c) All connector plugs and sockets are correctly mated.
- d) No wires are trapped, damaged or broken.

A visual inspection will reveal the general condition of the wiring. A more thorough test using a continuity tester will be needed to check apparently intact wires, however once a machine has been playing successfully, wiring is very rarely a cause for concern.

### 6.3 Power supply

The power supply is situated in the lower cabinet compartment beneath the playfield. When a fault occurs that affects the whole of the machine, the power supply and regulation system should be checked first.

### 6.4 Main logic board.

Each player section has its own logic board fitted to the left hand wall in the rear of the machine. There are fuses for the AC supplies and for each 50V AC ejector coil.

### 6.5 Tilt switch, bell and reset switch.

The tilt switch on all versions is situated inside the rear of the cabinet, at the top left and on each front door. The alarm sounder is located in the topsign. The tilt alarm reset switch on all versions is fixed inside the topsign with access to the button from outside the machine.

### 6.6 Hopper Microphone P.C.B. and reset switch. (USA version only)

Each player section has a microphone P.C.B. and hopper reset switch fitted to the bulkheads in the lower cabinet compartment. The microphone from each board is attached to the win chute.

### 6.7 Sound P.C.B.

The Sound board is in the rear LH side of the machine (1 player viewed from the back) or on the right of the centre partition wall (2 player).

### 6.8 Speaker.

All versions of the machine have a speaker fitted to the roof, inside the top sign. If the speaker is suspected faulty it should be replaced with one of the same type and rating.

### 6.9 Lighting.

Fluorescent tubes are situated at the top of the playfield.

Replacement is carried out by releasing the end caps and removing the tube from the spring clips, inserting a new tube of the correct type and re-connecting the end caps. Starter replacement may be required occasionally. Always use exact replacement types.

The light board is situated inside the lower cabinet on the right (1 player) or on the centre partition wall (2 player).

6.10 Pusher box drive motor and cut-out switch. All versions of the machine have a drive motor located inside the lower cabinet compartment under the playfield. A cut-out switch is mounted on the motor support frame which activates if the pusher boxes become jammed.

6.11 Coin and ticket counters.

On all versions of the machine the coin and ticket counters are located inside the lower compartment.

6.12 Switch settings. Dipswitch settings - .Main Logic PCB.

BWHEEL 6 V1.0

SWITCH 1	Pole	1	2	3	Game time (seconds)
		Off	Off	Off	3
		On	Off	Off	15
		Off	On	Off	20
		On	On	Off	25
		Off	Off	On	30
		On	Off	On	40
		Off	On	On	50
		On	On	On	60

ATTRACT SOUND TRIGGER TIME. Time between attract tunes can be adjusted :-

Pole	4	5	
	Off	Off	NO ATTRACT SOUND
	On	Off	30 second interval
	Off	On	60 "
	On	On	120 "

CONSOLATION AWARDS.....Tickets paid on coin in:-

Pole	6	7	8	AWARD
	off	off	off	0
	on	off	off	1
	off	on	off	2
	on	on	off	3
	off	off	on	4
	on	off	on	5

off	on	on	6
on	on	on	7

TCH 2 Dipswitch on extension PCB FL0295 (Reset PCB.)

2 - TICKET AWARD FOR COINS WON (USA machines)

Pole	1	2	3	4	Award ratio for coins off edg
	Off	Off	Off	Off	1
	On	Off	Off	Off	2
	Off	On	Off	Off	3
	On	On	Off	Off	4
	Off	Off	On	Off	5
	On	Off	On	Off	6
	Off	On	On	Off	7
	On	On	On	Off	8
	Off	Off	Off	On	9
	On	Off	Off	On	10
	Off	On	Off	On	11
	On	On	Off	On	12
	Off	Off	On	On	13
	On	Off	On	On	14
	Off	On	On	On	15
	On	On	On	On	16

PE CARD CHANGE TABLE

Pole	5	6	7	8	Change coins per swipe card input
	Off	Off	Off	Off	0
	On	Off	Off	Off	1
	Off	On	Off	Off	2
	On	On	Off	Off	3
	Off	Off	On	Off	4
	On	Off	On	Off	5
	Off	On	On	Off	6
	On	On	On	Off	7
	Off	Off	Off	On	8
	On	Off	Off	On	9
	Off	On	Off	On	10
	On	On	Off	On	11
	Off	Off	On	On	12
	On	Off	On	On	13
	Off	On	On	On	14
	On	On	On	On	15

## 7. MECHANICAL SYSTEMS

### 7.1 Pusher motor drive.

The motor which drives the pusher boxes is connected to a V belt & pulley system. The bearings are sealed for life and the belts do not stretch.

If the belt should be damaged, change it by first switching the machine off. Remove the paycup doors. Unbolt the belt tensioner. The V-belt needs to be removed, the best way to accomplish this is to place a screwdriver between the one of the pulleys and the V-belt, then switch the machine on and prise the V-belt off. Take great care, always be able to turn the machine off immediately. With the V-belt removed switch the machine off again. Change the old belt for a new one that is the same specification. Place the new belt across the pulleys and tighten with the belt tensioner. Now put the V-belt back on the pulley using the same system. The only other thing that might need adjusting is the micro switch which is situated at the back of the drive motor, adjust to suit.

### 7.2 Pusher boxes.

The pusher boxes run on two Accuride slide bearings. Clean and re-grease as required. The nylon wheel may wear in time which is noticeable by the pusher box movement not being smooth. This can be rectified by the following procedure:-

- a). Switch off the machine at the mains.
- b). Open the back of the machine, the nylon wheel can be replaced by removing the two plates that hold it in place.
- c). Replace the nylon wheel with a new one. Grease the wheel and reassemble.

### 7.3 Coin entry chutes.

These can be changed or replaced. Care should be used when replacing them to ensure they locate in the firing mechanism correctly.

### 7.4 The Wheel.

The cup "tip" can be adjusted by carefully bending the stops underneath. This will allow more or less coins to tip the cup.

## 8. TROUBLE-SHOOTING

The following is a guide to some faults and remedies. Always replace faulty items with units of the same specification. Determine the cause of the fault and rectify to avoid recurrence of a problem. Test a coin mech. or ticket dispenser by fitting a known good unit from another machine in place of the suspect unit. The ticket machines are quite easy to fault find and repair on site.

Symptom	Possible Fault	Remedy
No Sound speaker	Volume / Speaker	Adjust volume / Check
	Sound board	Replace if faulty
Lights out	Tube, Starter, Choke	Check each item. Replace if faulty
Ticket machine not working manual.	Ticket motor / PCB	Bench test. Check transistor 2N2222, IC40106 opto sensor. See Deltronic
	Logic / Inhibit switch	Replace logic PCB. Check switches
Pusher not moving	Jam Micro switch	Check that the micro switch works.
Machine not paying out hopper	Counter hopper	Change hopper
	Payout hopper	Re-fill hopper / Change
Tilt alarm not working	Tilt P.C.B	Change board
Coin counter not working one.	Counter / opto sensor	Test / change for new
Ticket counter not working one. machine.	Check counter	Change for new
	check ticket opto	change ticket

### Coin Launch System - set-up & adjustment.

The coin launch system has been factory adjusted for optimum performance with your specified coin.

The system incorporates an automatic voltage compensation circuit, that adjusts the supply voltage to the solenoid coil to compensate for the variation in performance that occurs when the system warms up in normal use.

This ensures the players always have a game with similar characteristics, from the first coin of the day through to the last coin.

### ADJUSTMENT.

Should the need arise to adjust the coin launch units please follow this procedure :-

Note :- The coin should be launched to hit the 'BIG WHEEL' about 90mm from the top, which is half way between the top of the wheel and the centre cone.

1. Test the performance of the system.

2. If necessary, adjust the finger controls on the control board. Each coin launcher has its own control.

The control board is located under the launch units, on the right hand side.

3. If there is insufficient adjustment on that control, a mechanical adjustment of the firing solenoid will be needed. Set the control board control to the mid-way position.

1) On the rear of the solenoid are four fixing bolts, loosen the bolts to allow the solenoid coil to move up and down. Note :- only small adjustments of 1 or 2mm are likely to be required.

2) Adjust the coil upwards to get more power, and throw the coin harder.

3) Adjust the coil downwards to reduce the power, reducing the throw of the coin.

4) Once the mechanical adjustment is about right, fine tune the coin throw with the control board finger control.

DO NOT SCALE

P14

1 2 2-WAY MOLEX

RED/YEL

1 ORG/PNK

5 VIO/BRN

6 VIO/RED

7 VIO/ORG

8 VIO/YEL

4 VIO/GRN

3 VIO/BLU

2 GRN/BLU

3 GRN

4 GRN/YEL

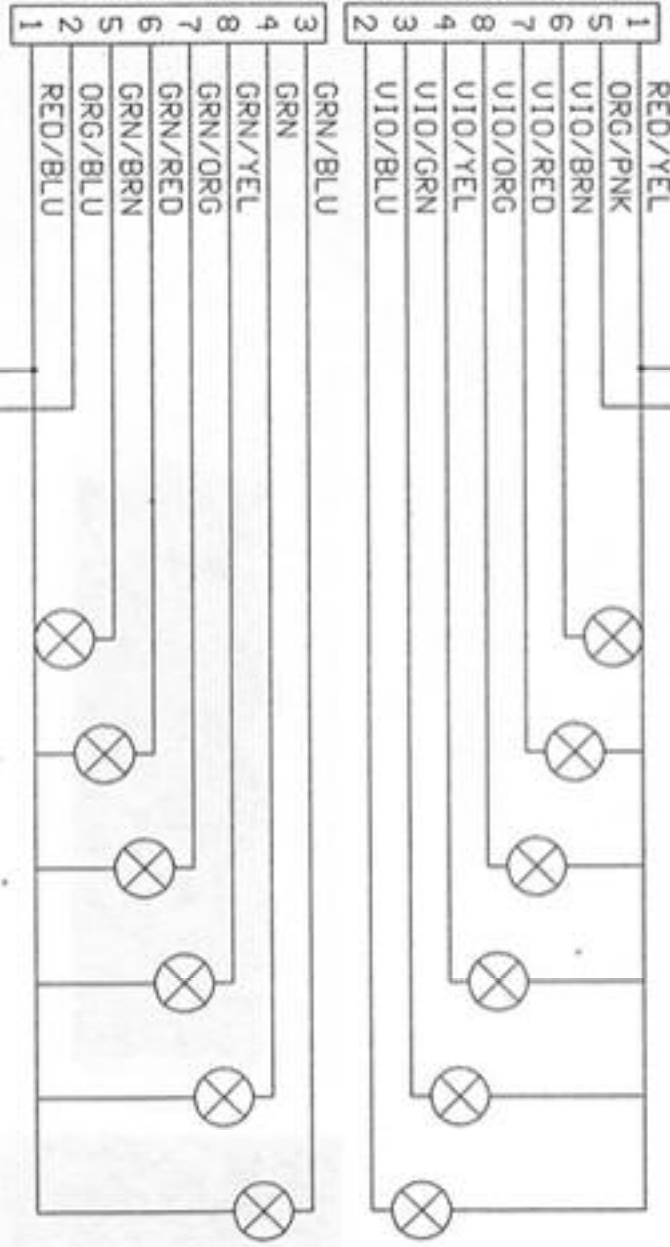
8 GRN/ORG

7 GRN/RED

6 GRN/BRN

5 ORG/BLU

1 2 RED/BLU



12 x LAMPS  
12V 2 2 WATT

DRG No 5400

8-WAY  
MNIFIT  
MAIN PCB CN6

8-WAY  
MNIFIT

MAIN PCB CN 7

SEWER LEVY MOVEMENT CONTRACTOR  
UNITS 1-4 PATRICIA WAY  
PITSONS RD IND EST  
BROOKHAVEN RD NT CT18 NJ

ML 01MS 1M RM

ISSUE	NO	DATE
1	1	
	2	
	3	
	4	

1501  
1502

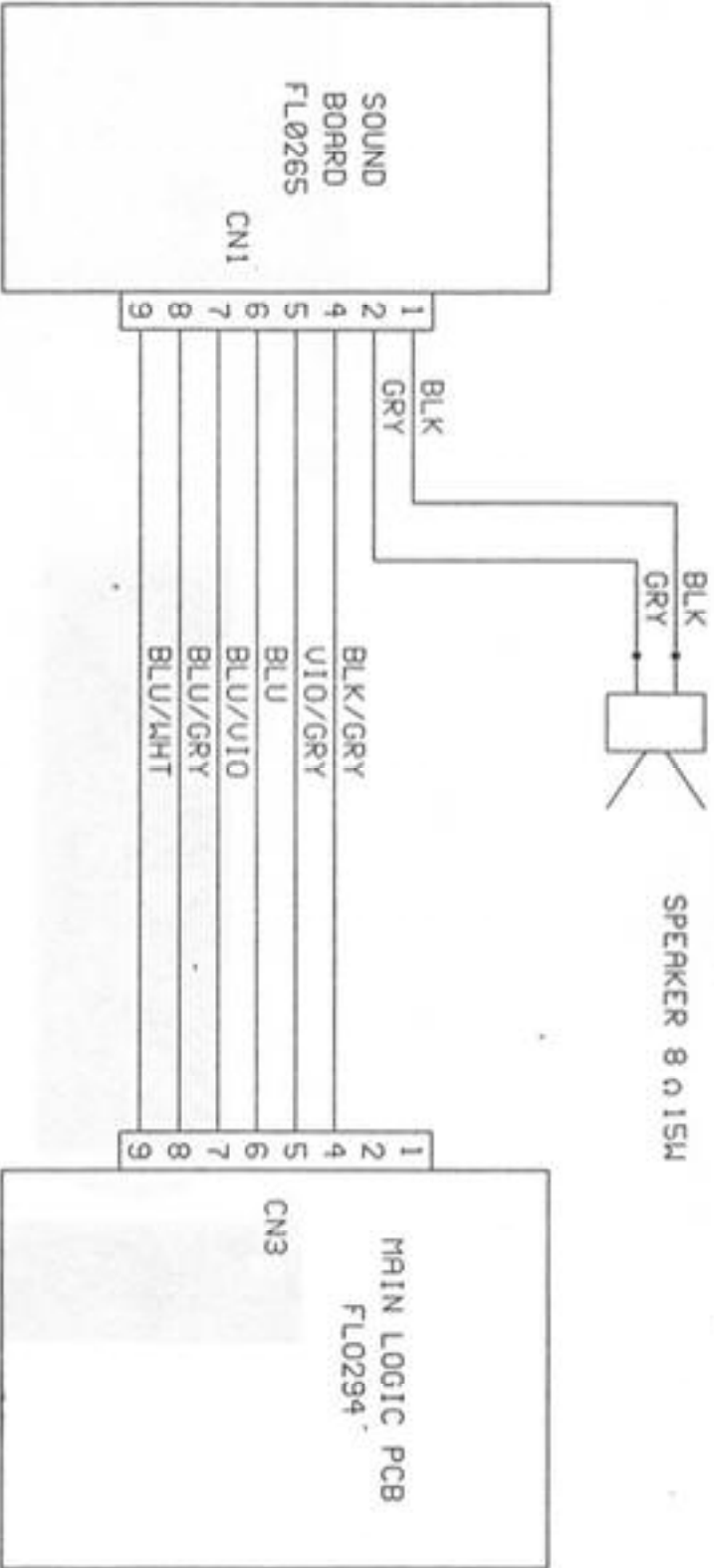
TITLE  
PLAYFIELD LIGHTS

DESIGN	PROJECT	DATE
NG1		25/9/95

DRAWING No. HL BM 5400 - D

DO NOT SCALE

DRG No. 5399



HENRY LEVY MANAGEMENT CONTRACTOR  
 UNITS 1-4 PRINCIPAL UNIT  
 PRISON NO 1ND EST  
 BROOKINGS RENT CTR SVF

ALL DIMS IN IN

ISSUE	NO	DATE	TITLE	DATE
1	1501	1502	SOUND LINK & SPEAKER	

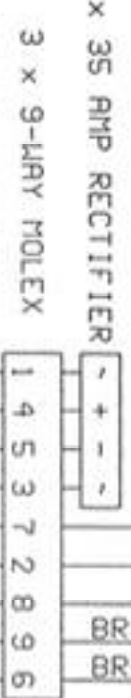
  

PROJECT	APPROVED	DATE
NG1		25/9/95

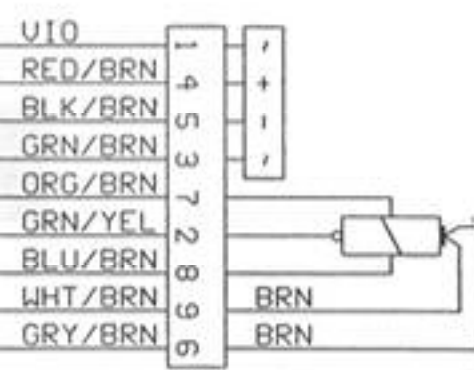
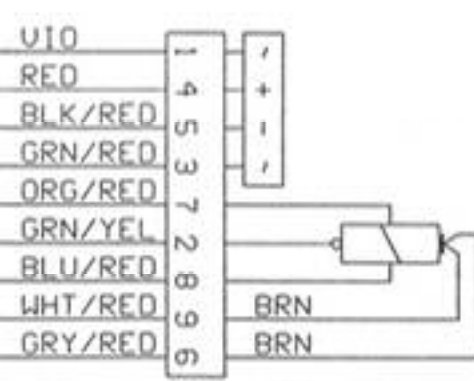
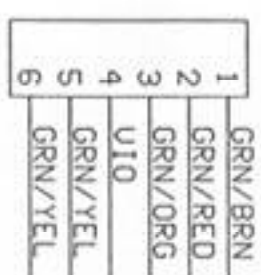
  

DRAWING No.	HL BM 5399 - 0
-------------	----------------

DO NOT SCALE



6-WAY MOLEX



METAL PARTS EARTH

HARRY LEVY ASSOCIATES CONTRACTOR  
UNITS 1-4 PATRICIA UNIT  
PFSOM RD 1RD CST  
BROOKFIELD ILL 61110 247

RL DIMS IN MM

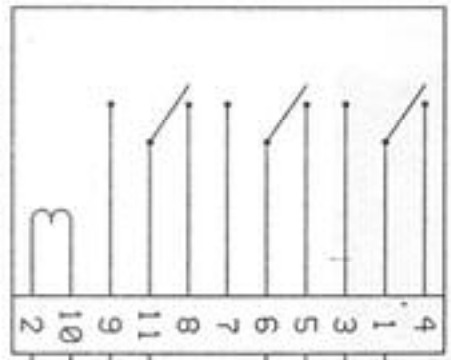
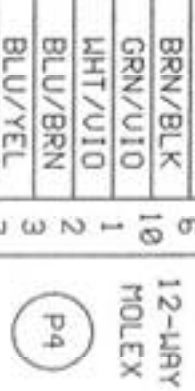
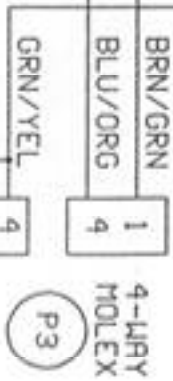
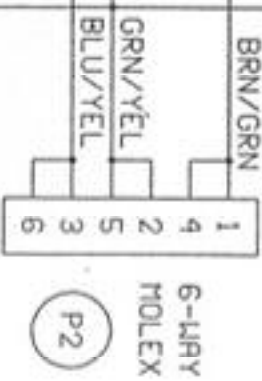
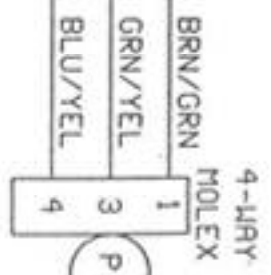
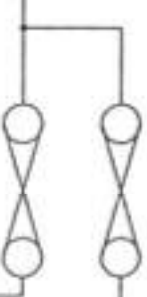
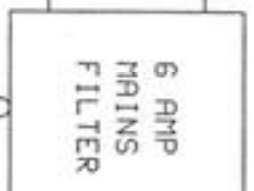
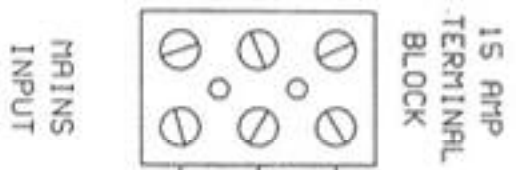
ISSUE	1	DATE	1501	TITLE	COIN EJECTOR WIRING	DATE	2/6/97
REV		DATE	1502				
DRAWING NO		HL BM 9911 - 0					

ORG No 9911

DO NOT SCALE

2 x FUSES - 2 AMP(T) UK  
5 AMP(T) USA

ORG No 5387



ALL DIMS IN MM

REFER LOCAL INSTALLMENT CONTRACTOR  
UNITS 1-4 PROTECTIVE UNIT  
PERSONS AND EST  
BROOKHILLS KENT CT18 2JF

ISSUE

1 PL. 02 ETC WIRE ONL. OND

3 REPAIR PIN 9 WTS 8

ISSUE	DATE	BY
1	1501	
2	1502	

TITLE  
COMP BOARD WIRING

DRAWN  
NG1

PROJECT

CHECKED

APPROVED

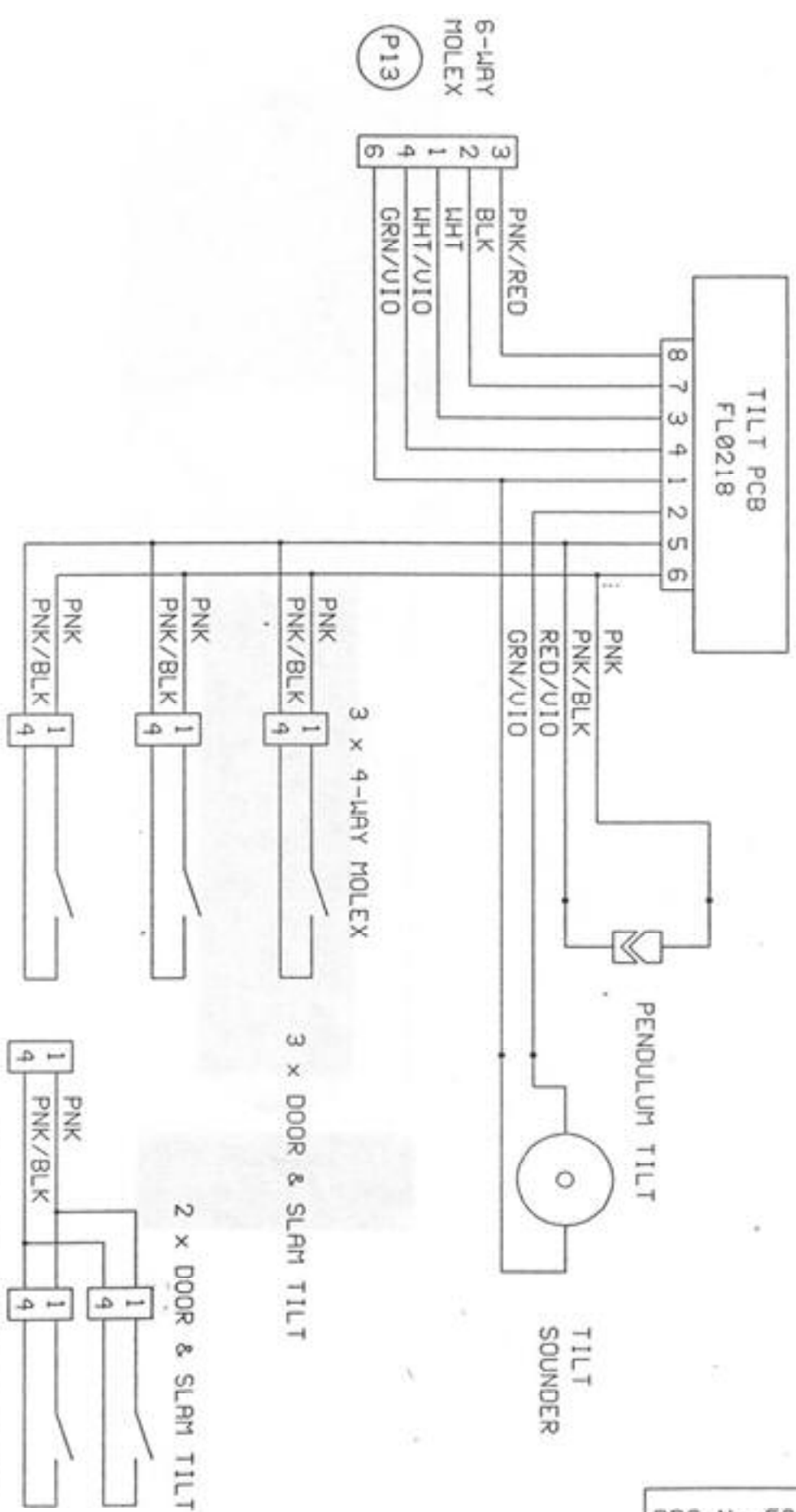
DATE

21/9/95

DRAWING NO. HL BU 5387 - D

DO NOT SCALE

DRG No. 5398



WHEEL LEUR ANUSCRIPT CONTRACTOR  
 UNIT 1-4 PATRICIA UNIT  
 PRISON RD LND EST  
 BRONXVILLE KY 40303

ALL DIMS IN IN

ISSUE	NO	DATE
1		

1501  
1502

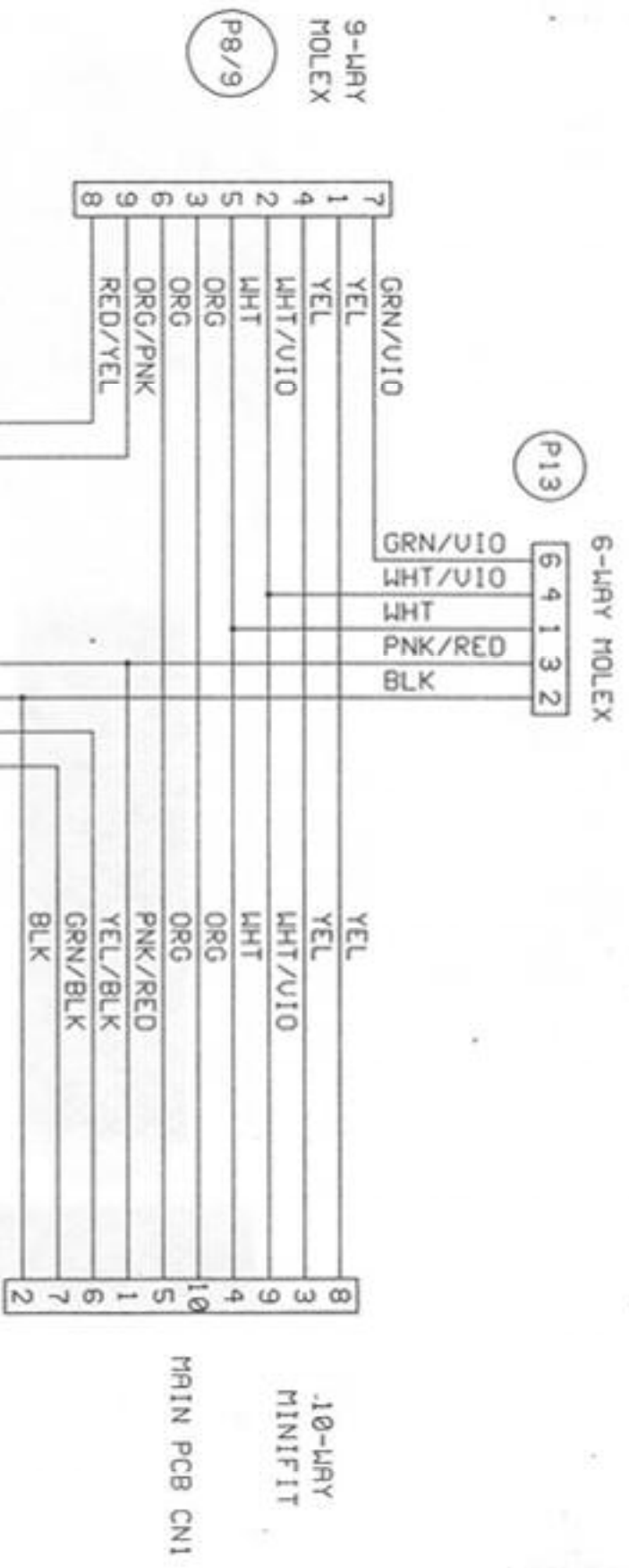
TITLE  
TILT SYSTEM

DATE	APPROVED	PROJECT	CHECKED	NGI
25/5/95				

DRAWING NO. HL BU 5398 -- D

DO NOT SCALE

DRG No. 5396



WRIGHT LEVER MOUNTING CONTRACTOR  
 UNITS 1-4 PARTICIPATION UNIT  
 PT5000S RD. IND. EST  
 BRIDGEVIEW RD. IND. CT 018 20/

ALL DIMS IN MM

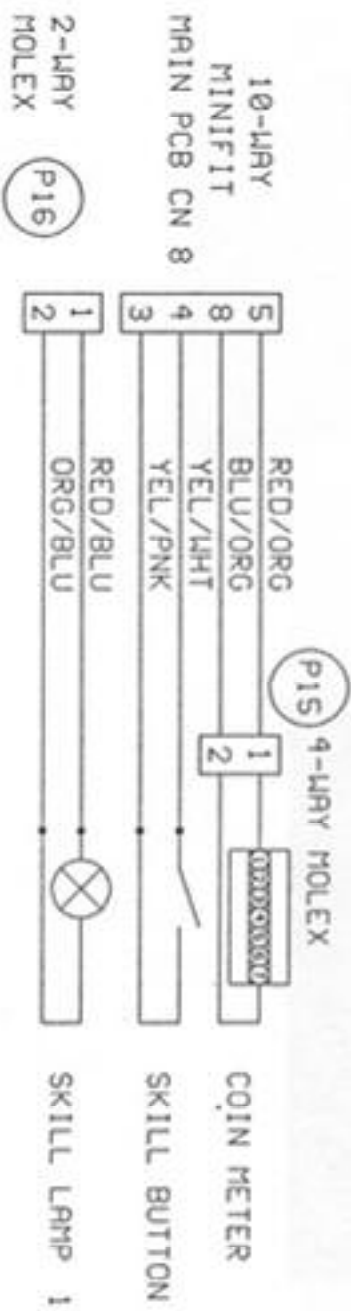
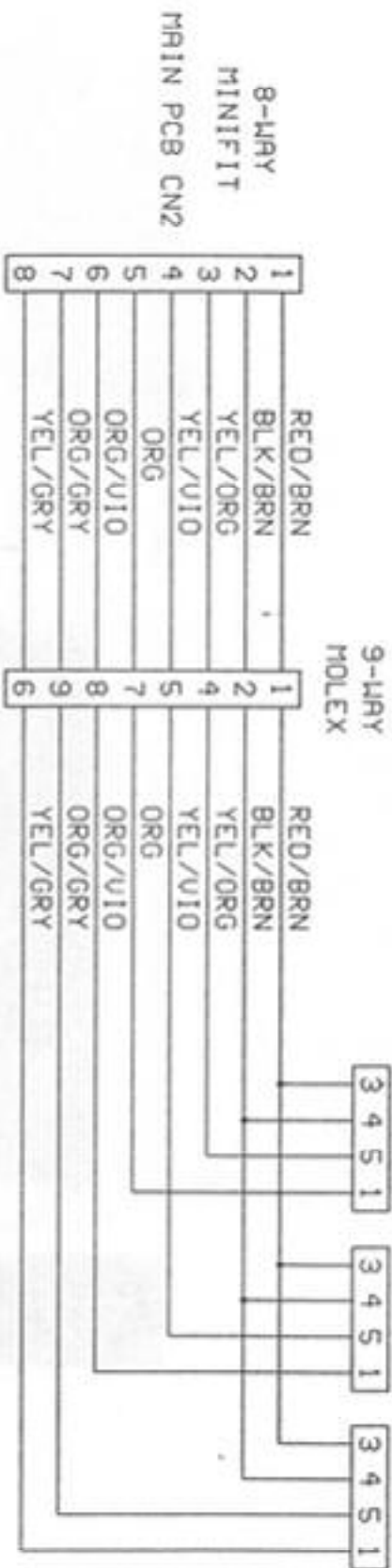
ISSUE	NO	DATE	TITLE	DRAWN	PROJECT CHECKED	APPROVED	DATE
1	1	1501	AC DISTRIBUTION	NG1			25/9/95
		1502					

DRAWING No. HL BM 5396 - D

DO NOT SCALE

3 x COIN OPTO SENSOR PCBs  
3 x 0.1" KK CONNECTOR

ORG No. 5397



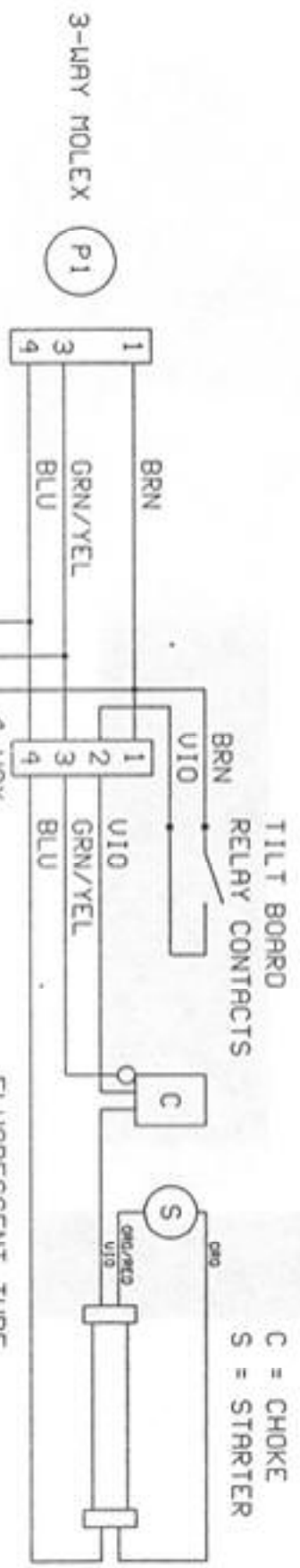
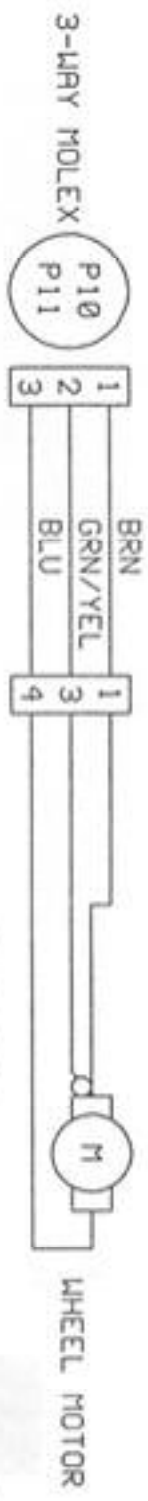
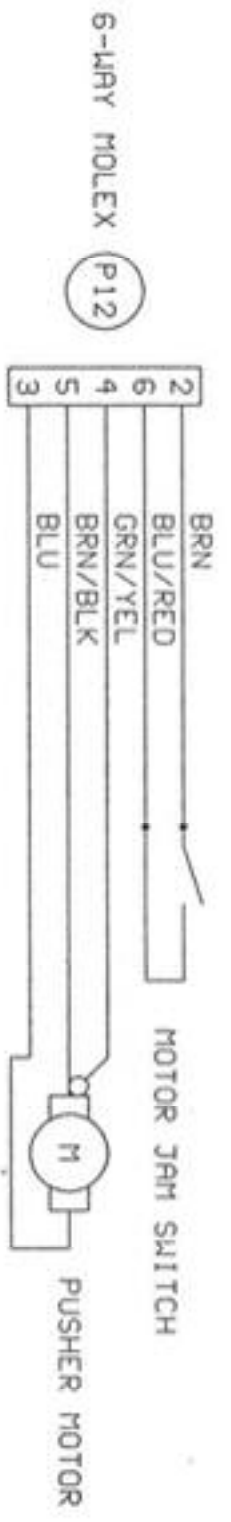
HEAVY LEVY MUSEUM/CONSTRUCTION  
UNITS 1-4 PARTICIPATION UNIT  
PTSDONS NO 1ND EST  
BROUGHTONERS WENT CTIB 2UP

ALL DIMS IN MM

ISSUE	NO	REV	DATE	TITLE	DESIGN	PROJECT	APPROVED	DATE
1	1			COIN SENSORS & SKILL BUTTON	NG1			25/9/95

DRAWING NO. HL BM 5397 - 0

DO NOT SCALE



FLUORESCENT TUBE  
 15 WRTT 450mm 1 PLAYER  
 30 WRTT 900mm 2 PLAYER

WHEAT LEAF MANAGEMENT CONTRACTOR  
 SUITS 1-4 PRINCEALIA UNIT  
 PRISON RD (IND EST)  
 BROOKHOLMERS KENT CT18 2JF

RL 0198 IN RM

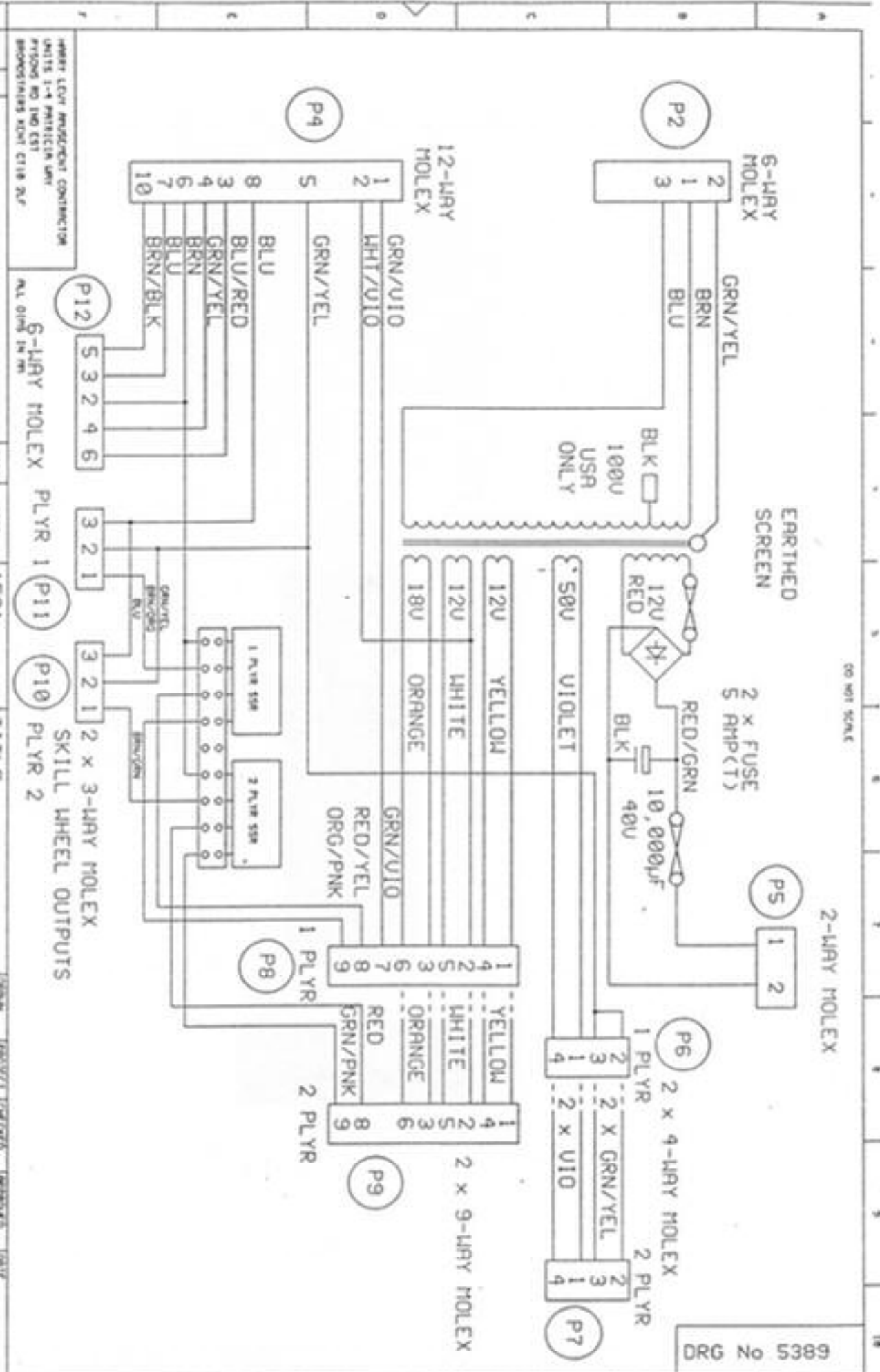
ISSUE	1	REVISED	DATE	TITLE	DESIGN	PROJECT	CHECKED	APPROVED	DATE
1			1501	MAINS EQUIPMENT WIRING 1 & 2 PLAYER	NG1				22/9/95
			1502						

DRAWING NO. HL BM 5394 - D

DRG No. 5394

DO NOT SCALE

DRG No 5389



ISSUC	1	REV	DATE	1501	TITLE	DRW	PROJECT	DATE	REV
5	PA - 2 PLYR 55# RCD MOXO	NO1	5/8/97	1502	TRANSFORMER BOARD	NG1			21/9/95
3	#13 MOXO	NO1			1 & 2 PLYR WIRING				
4	100V TAPPING USAU MOXO	NO1	2/6/97						

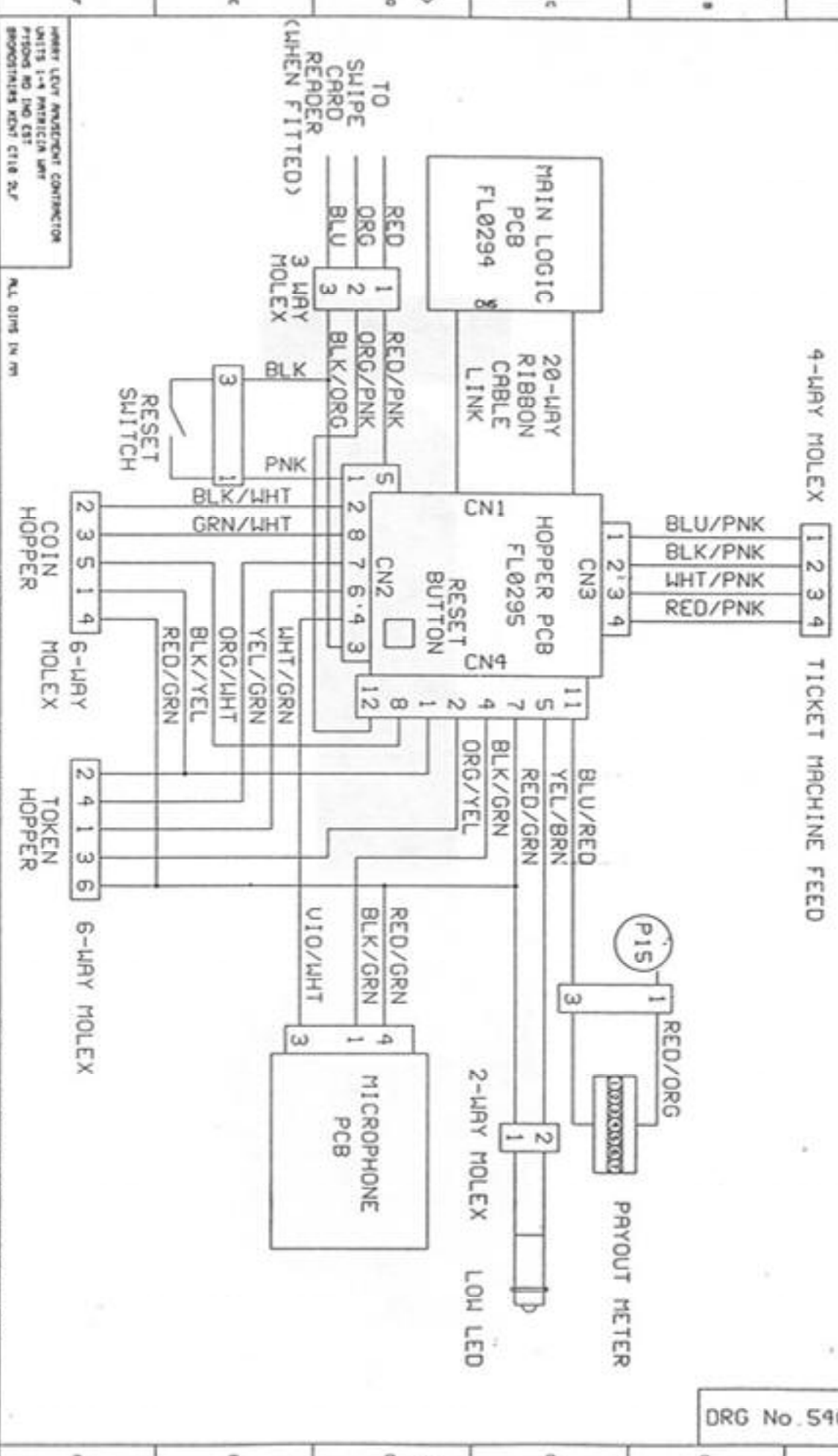
WARRANTY AND/OR CONSTRUCTION  
 UNITS 1-4 PROTECTA UNIT  
 PRINTING NO ENG EST  
 PROTECTA UNIT CTR 2V

6-MAY MOLEX PLYR 1 (P11)  
 ALL DIM IN MM

SKILL WHEEL OUTPUTS  
 PLYR 2 (P10)

DRAWING NO HL BM 5389 - D

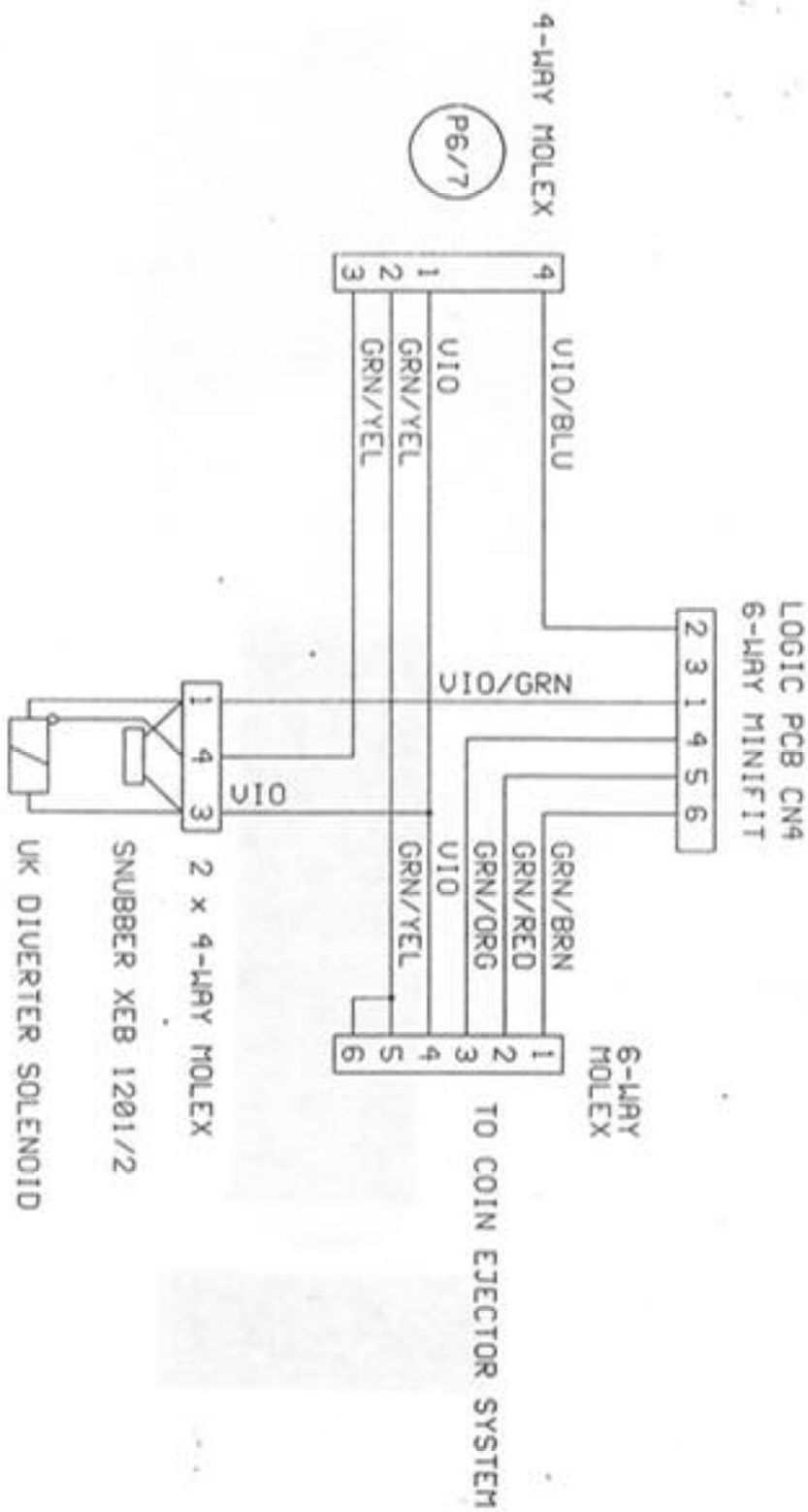
DO NOT SCALE



DRG No. 5402

HOPPER LEAD MANUFACTURER CONTRACTOR UNITS 1-4 PATRICKIA UNIT PRISON NO 140 631 BRIDGESTONE KEY CT18 SL		ALL DIMS IN MM		ISSUE 1		APPD		DATE		TITLE		DRAWN		PROJECT		CHECKED		APPROVED		DATE	
2 SWIPE CARD FACILITY ADDED		M01		20-08-97		1501		1502		HOPPER / TICKET WIRING		NG1		G04 MR		NG1		NG1		25/9/95	
DRAWING NO. HL BM 5402 - D																					

DO NOT SCALE



WHEEL LEVER MANAGEMENT CONSTRUCTION  
 UNITS 1-4 PATRICIA UNIT  
 PRISON NO LND EST  
 PROPOSAL NO EST C118 207

ALL DIMS IN MM

ISSUE	NO	REVISED	DATE
1			
2	WHEEL MOTOR & SOLENOID WIRING REVISED	NO1	2/6/95

1501  
1502

TITLE  
50V SOLENOID  
WIRING

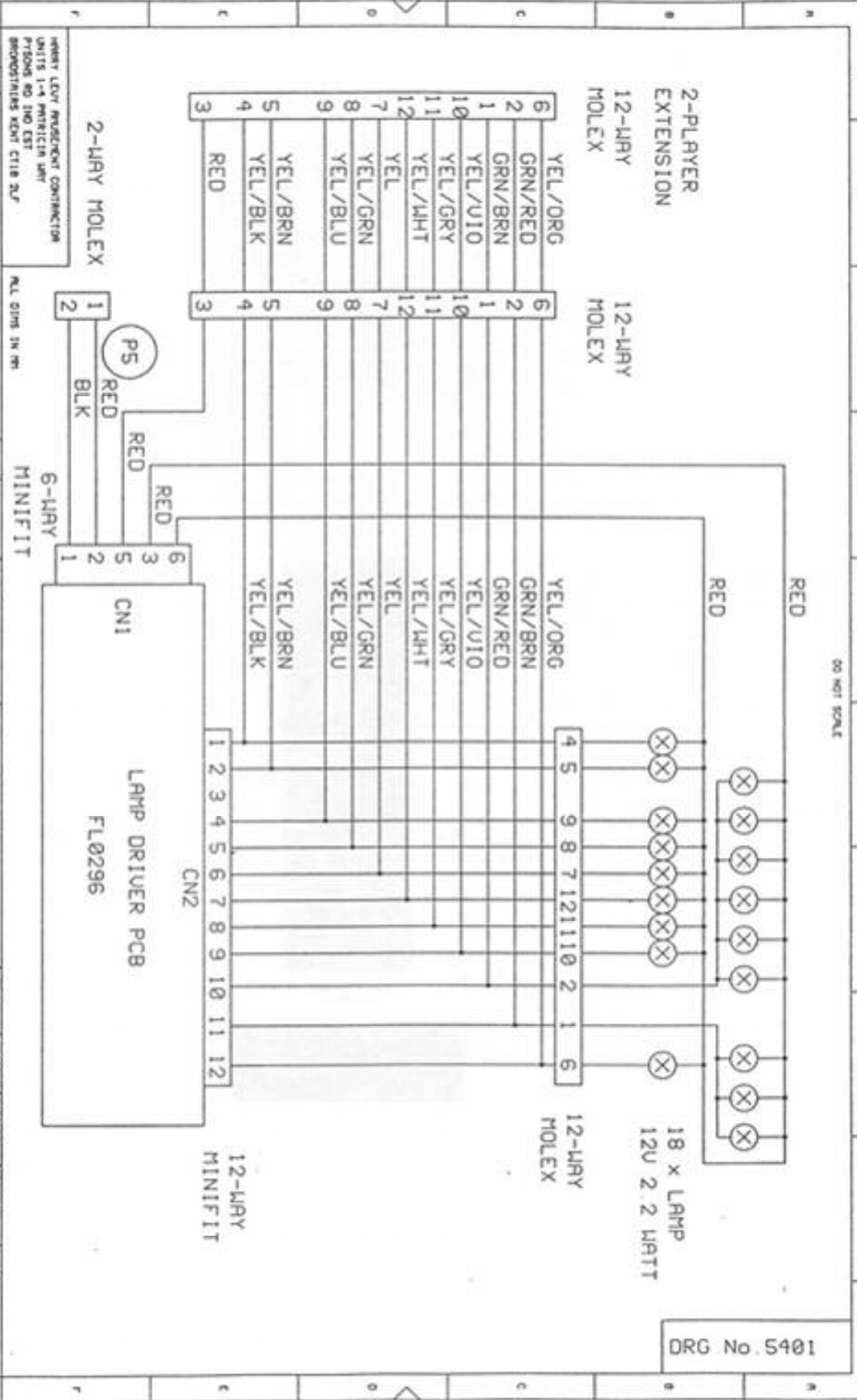
DESIGN	PROJECT	ORDERED	APPROVED	DATE
NO1				22/9/95

DRAWING NO HL BM 5395 - 0

DRG No 5395

DO NOT SCALE

ORG No. 5401



2-PLAYER  
EXTENSION  
12-WAY  
MOLEX

12-WAY  
MOLEX

- 6 YEL/ORG
- 2 GRN/RED
- 2 GRN/BRN
- 1 YEL/VI0
- 10 YEL/GRY
- 11 YEL/WHT
- 12 YEL
- 7 YEL/GRN
- 8 YEL/BLU
- 9 YEL/BRN
- 5 YEL/BLK
- 4 RED
- 3

- 6 YEL/ORG
- 2 GRN/BRN
- 1 GRN/RED
- 10 YEL/VI0
- 11 YEL/GRY
- 12 YEL/WHT
- 7 YEL
- 8 YEL/GRN
- 9 YEL/BLU
- 5 YEL/BRN
- 4 YEL/BLK
- 3

- 6 YEL/ORG
- 2 GRN/BRN
- 1 GRN/RED
- 10 YEL/VI0
- 11 YEL/GRY
- 12 YEL/WHT
- 7 YEL
- 8 YEL/GRN
- 9 YEL/BLU
- 5 YEL/BRN
- 4 YEL/BLK
- 3

- 4 5 9 8 7 12 11 10 2 1 6
- 1 2 3 4 5 6 7 8 9 10 11 12

12-WAY  
MOLEX

18 x LAMP  
12V 2.2 WATT

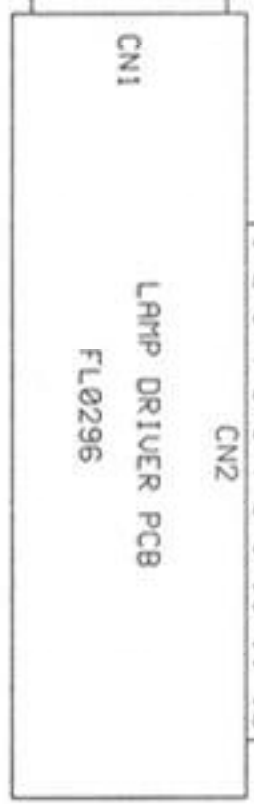
12-WAY  
MINIFIT

2-WAY MOLEX

SEEK LDR. INSTRUCTION CONNECTION  
UNITS 1-4 PATRIOTIC UNIT  
PUSHES TO THE EST  
BROWSTINES KONT C118 2U

ALL DIMS IN MM

6-WAY  
MINIFIT



ISSUE	1	REV	DATE	TITLE	DRAWN	PROJECT	CHECKED	APPROVED	DATE
				TOP SIGN LIGHTS	NGI				25/9/95

DRAWING NO. HL BU 5401 - D